

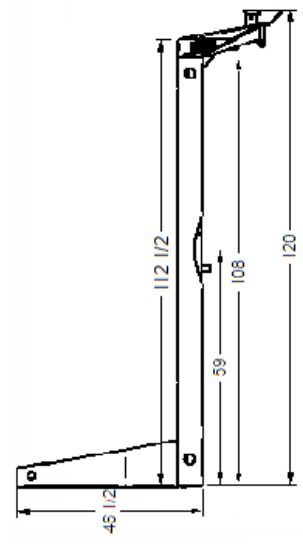
**ALUMI-STEEL**  
CAB AND CHASSIS ORDER FORM

| 60" CA - Single Rear Wheel<br>Aerodynamic 9'4" Flat Goose<br>710 lbs |         |         | 60" CA - Dual Rear Wheel<br>Aerodynamic 9'4" Flat Goose<br>750 lbs |         |         | 84" CA<br>Aerodynamic 11'4" Flat Goose<br>845 lbs                  |         |         |
|--|---------|---------|--|---------|---------|--|---------|---------|
| BASE PRICE<br>B-ASA-112-84-34  | \$4,975 | \$4,975 | BASE PRICE<br>B-ASA-112-96-34                                      | \$4,975 | \$4,975 | BASE PRICE<br>B-ASA-136-96-34                                      | \$6,110 | \$6,110 |
| INSTALLATION*<br>B-INSTALL-AERO-C&C                                  | \$645   | \$645   | INSTALLATION*<br>B-INSTALL-AERO-C&C                                | \$645   | \$645   | INSTALLATION*<br>B-INSTALL-AERO-C&C                                | \$645   | \$645   |
| TOOLBOX - DRIVER<br>B-TOOLBOX-112-SRW-DS                             | \$500   |         | TOOLBOX - DRIVER<br>B-TOOLBOX-112-DS                               | \$500   |         | TOOLBOX - DRIVER<br>B-TOOLBOX-136-DS                               | \$600   |         |
| TOOLBOX - PASSENGER<br>B-TOOLBOX-112-SRW-PS                          | \$500   |         | TOOLBOX - PASSENGER<br>B-TOOLBOX-112-PS                            | \$500   |         | TOOLBOX - PASSENGER<br>B-TOOLBOX-136-PS                            | \$600   |         |
| 8" DROP-IN SIDES<br>W/ TAILGATE<br>B-SIDE RAILS-DROP-IN-112-SRW      | \$630   |         | 8" DROP-IN SIDES<br>W/ TAILGATE<br>B-SIDE RAILS-DROP-IN-112        | \$630   |         | 8" DROP-IN SIDES<br>W/ TAILGATE<br>B-SIDE RAILS-DROP-IN-136        | \$945   |         |
| 6" FOLD DOWN SIDES<br>W/ TAILGATE<br>B-SIDE RAILS-FOLD-ASA-112-SRW   | \$885   |         | 6" FOLD DOWN SIDES<br>W/ TAILGATE<br>B-SIDE RAILS-FOLD-ASA-112     | \$885   |         | 6" FOLD DOWN SIDES<br>W/ TAILGATE<br>B-SIDE RAILS-FOLD-ASA-136     | \$1,125 |         |
| RUB RAILS<br>B-RUB RAIL-112/120<br>(not sold with fold down sides)   | \$320   |         | RUB RAILS<br>B-RUB RAIL-112/120<br>(not sold with fold down sides) | \$320   |         | RUB RAILS<br>B-RUB RAIL-136/144<br>(not sold with fold down sides) | \$420   |         |
| SINGLE PIVOT 5TH WHEEL<br>B-5TH WHEEL-SP                             | \$1,940 |         | SINGLE PIVOT 5TH WHEEL<br>B-5TH WHEEL-SP                           | \$1,940 |         | SINGLE PIVOT 5TH WHEEL<br>B-5TH WHEEL-SP                           | \$1,940 |         |
| AUX SWITCH WORK LIGHT<br>INSTALL-AUX LIGHT                           | \$190   |         | AUX SWITCH WORK LIGHT<br>B-INSTALL-AUX LIGHT                       | \$190   |         | AUX SWITCH WORK LIGHT<br>B-INSTALL-AUX LIGHT                       | \$190   |         |
| SPARE TIRE BOLT TO<br>HEADACHE RACK<br>B-SPARE TIRE                  | \$25    |         | SPARE TIRE BOLT TO<br>HEADACHE RACK<br>B-SPARE TIRE                | \$25    |         | SPARE TIRE BOLT TO<br>HEADACHE RACK<br>B-SPARE TIRE                | \$25    |         |
| INSTALL SENSORS<br>B-INSTALL-SENSORS                                 | \$255   |         | INSTALL SENSORS<br>B-INSTALL-SENSORS                               | \$255   |         | INSTALL SENSORS<br>B-INSTALL-SENSORS                               | \$255   |         |
| INSTALL BACKUP CAMERA<br>INSTALL-CAMERA                              | \$255   |         | INSTALL BACKUP CAMERA<br>B-INSTALL-CAMERA                          | \$255   |         | INSTALL BACKUP CAMERA<br>B-INSTALL-CAMERA                          | \$255   |         |
| BED LINER<br>(DECK ONLY)   | \$780   |         | BED LINER<br>(DECK ONLY)   | \$780   |         | BED LINER<br>(DECK ONLY)   | \$780   |         |
| BED LINER<br>(DECK, HEADACHE RACK)                                   | \$950   |         | BED LINER<br>(DECK, HEADACHE RACK)                                 | \$950   |         | BED LINER<br>(DECK, HEADACHE RACK)                                 | \$950   |         |
| PICK UP AND/OR<br>DELIVERY   |         |         | PICK UP AND/OR<br>DELIVERY   |         |         | PICK UP AND/OR<br>DELIVERY   |         |         |
| <b>TOTAL:</b>  |         |         | <b>TOTAL:</b>  |         |         | <b>TOTAL:</b>  |         |         |

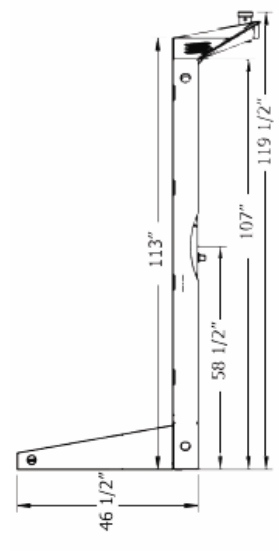
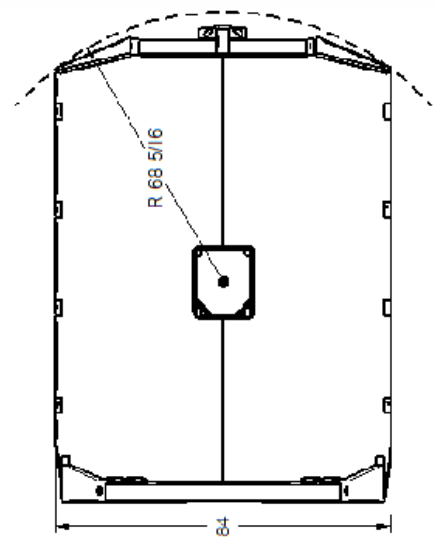
|                |             |        |       |
|----------------|-------------|--------|-------|
| Customer Name: | Dealership: |        |       |
| Phone Number:  | VIN#        |        |       |
| Stock#:        | Make:       | Model: | Year: |
| Signature:     |             |        |       |

\* Pricing may vary depending on install. Pricing, product designs, and availability are subject to change without notice. Call for current pricing.

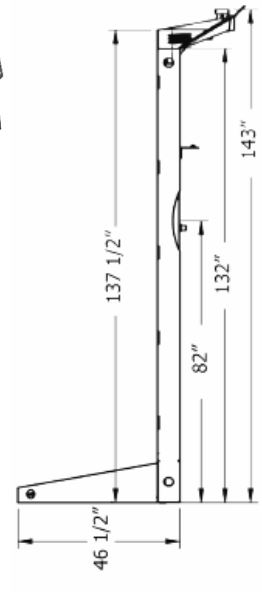
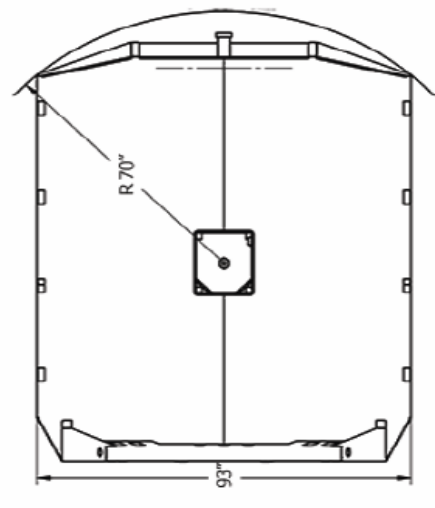
**ALUMI-STEEL**  
CAB AND CHASSIS ORDER FORM



ALUMI-STEEL AERODYNAMIC 9'4" FLAT GOOSE  
TOP VIEW 60" CA - SRW



ALUMI-STEEL AERODYNAMIC 9'4" FLAT GOOSE  
TOP VIEW 60" CA - DRW



ALUMI-STEEL AERODYNAMIC 11'4" FLAT GOOSE  
TOP VIEW 84" CA

